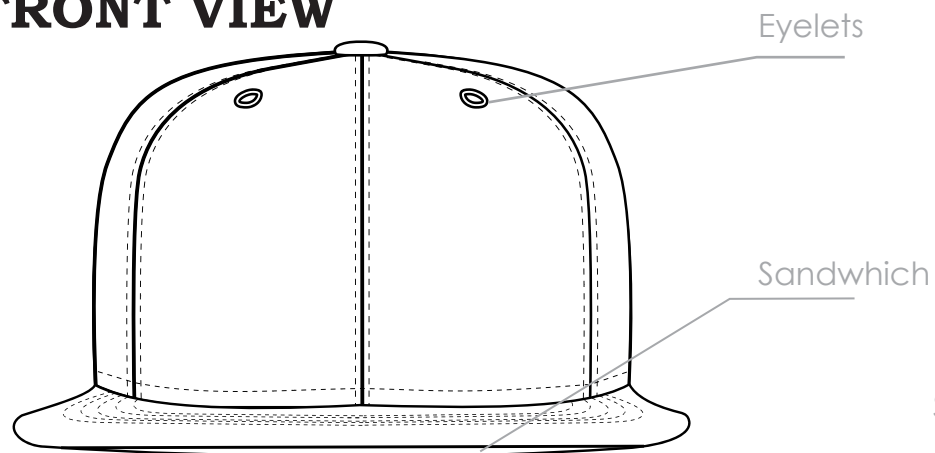
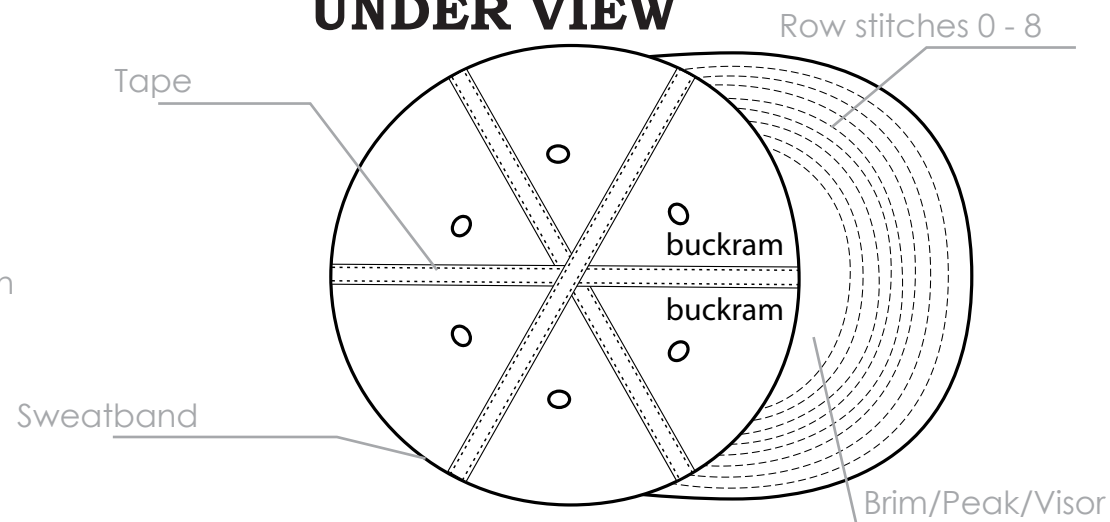


## CUSTOM MANUFACTURED SNAPBACK STYLE DESIGN EXAMPLE

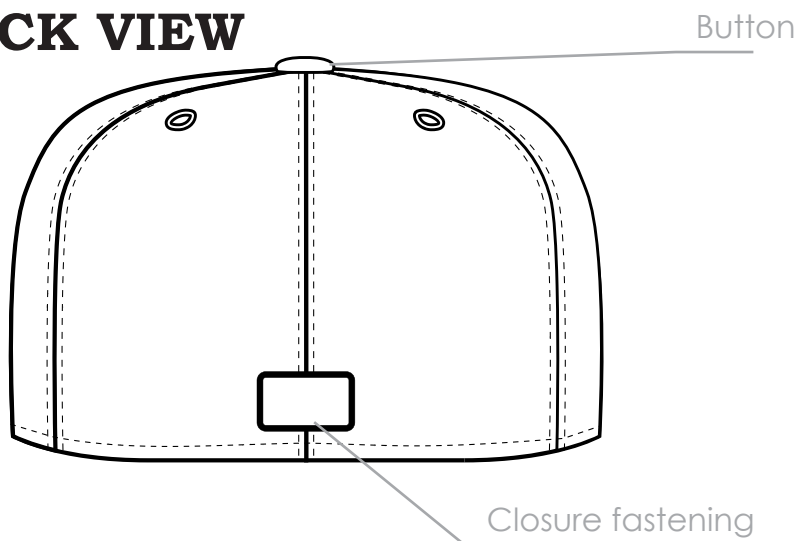
### FRONT VIEW



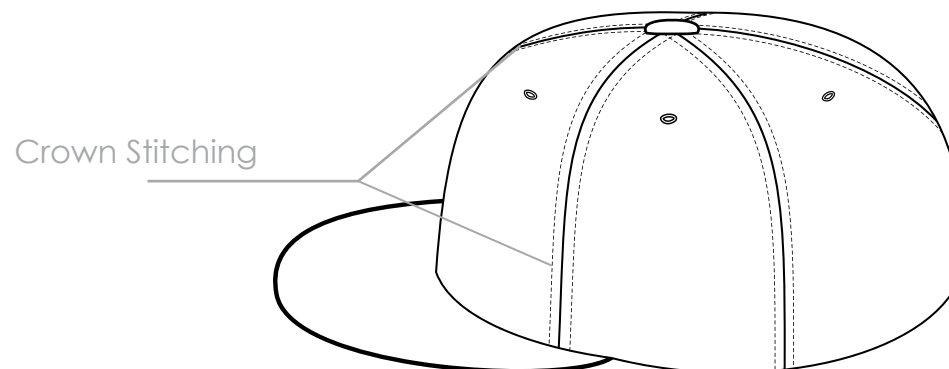
### UNDER VIEW



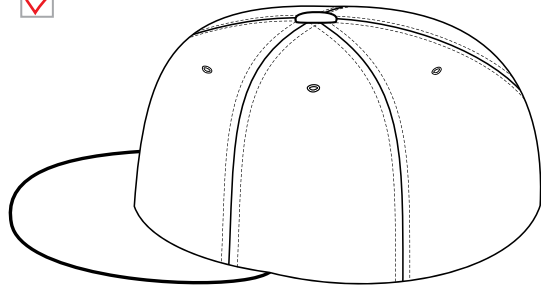
### BACK VIEW



### SIDE VIEW



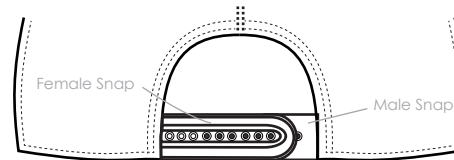
## Crown Style



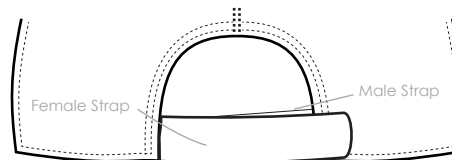
High Crown 6 panels

## Closure

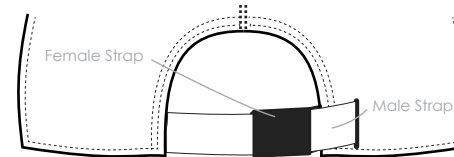
plastic snap back



velco strap closure



fabric/leather and metal closure



Closure:      COLOR:      MATERIAL:

Female  
Male

## Brim

PANEL:    COLOR / SWATCH:    FABRIC:

TOP VISOR

G

UNDER VISOR:

N

TYPE OF BRIM:     FLAT     Pre-curved

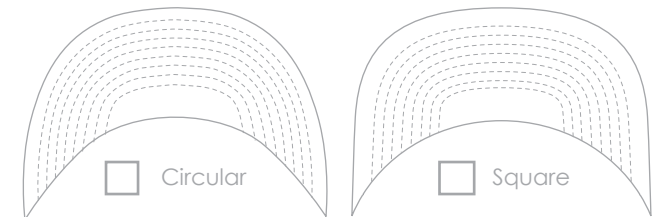
STYLE OF BRIM:

Regular Brim

Sandwich | Color:

Flip Visor

SHAPE OF BRIM:



Number of Row stitches:

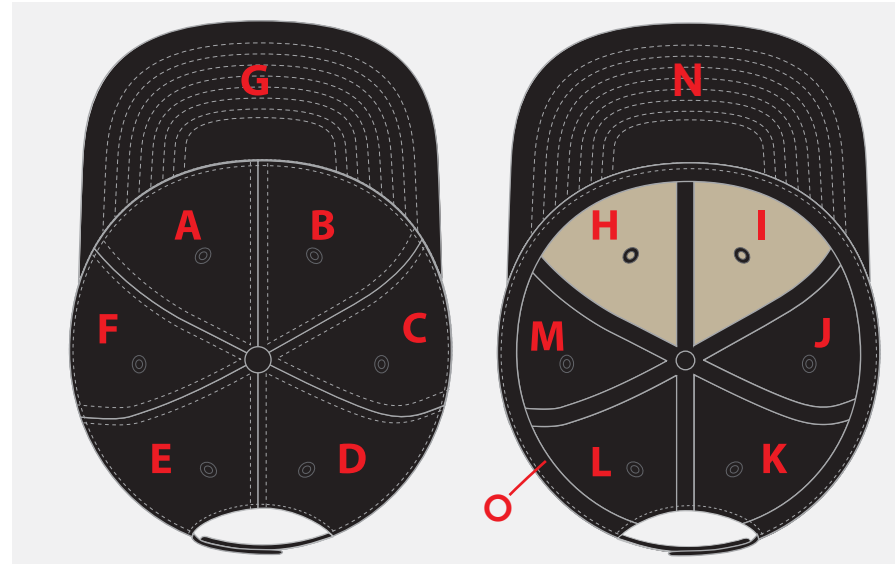
1 | 2 | 3 | 4 | 5 | 6 | 7 | 8

## Exterior

PANEL: COLOR / SWATCH: FABRIC:

- A
- B
- C
- D
- E
- F

TOP BUTTON:



## Sublimination

- A  Yes, see attached art work
- B  Yes, see attached art work
- C  Yes, see attached art work
- D  Yes, see attached art work
- E  Yes, see attached art work
- F  Yes, see attached art work
- G  Yes, see attached art work
- N  Yes, see attached art work

## Interior Lining

PANEL: COLOR / SWATCH: FABRIC:

- H  -
- I  -
- J  -
- K  -
- L  -
- M  -

Pick one  BUCKRAM: then pick one  Double  Single  
 FOAM:  Thin  Thick

O - SWEATBAND:

## Eyelets

PANEL: THREAD COLOR:

- A
- B
- C
- D
- E
- F

## Crown Fitting

- Shallow  Medium  Deep

## Stitching

PANEL: COLOR:

- A
- B
- C
- D
- E
- F

TOP VISOR:

G

UNDER VISOR:

N

## (Optional) Front Clear Stitching

A & B Center clear stitching

Make stitching clear

A & B Bottom clear stitching

Make stitching clear

## Taping

Type:

If Standard type pantone Color:

Question? Email [design@cap.deals](mailto:design@cap.deals)



AUTHENTIC  
CUSTOM | PRINTED  
EST. 2015

High Crown  
CAP

Product Details

Do you need embroidery? Yes No

How soon do you need the order to be delivered?

Do you have your artwork in svg, .eps, or .ai format? Yes No

If you don't have your artwork in a vector format do you have the image saved as a 300 dpi asset or greater?

Yes No Don't Know

Are you looking for our patent pending sublimation techniques? Yes No

How many **units** are you looking to order? Do you need to hire an artist? Yes No

Contact

Name: Phone number:

Email:

Notes

Agent: Discount Code:

How did you hear about us?