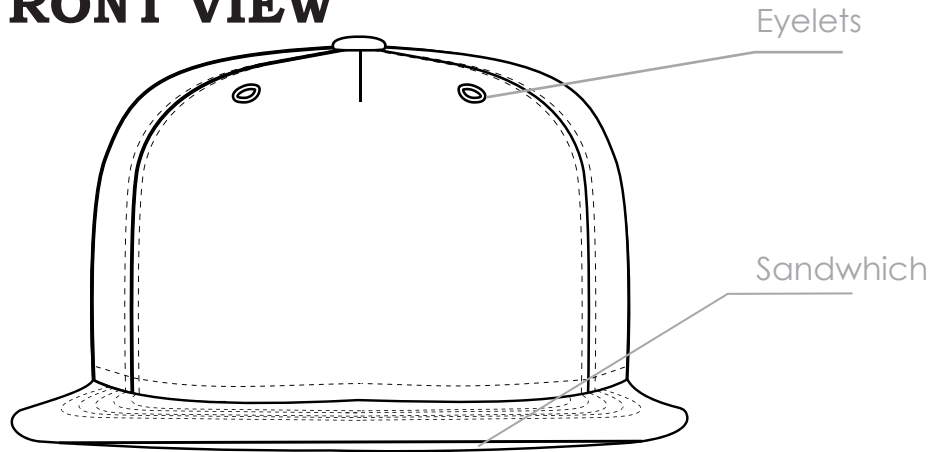


Order Number: 000001

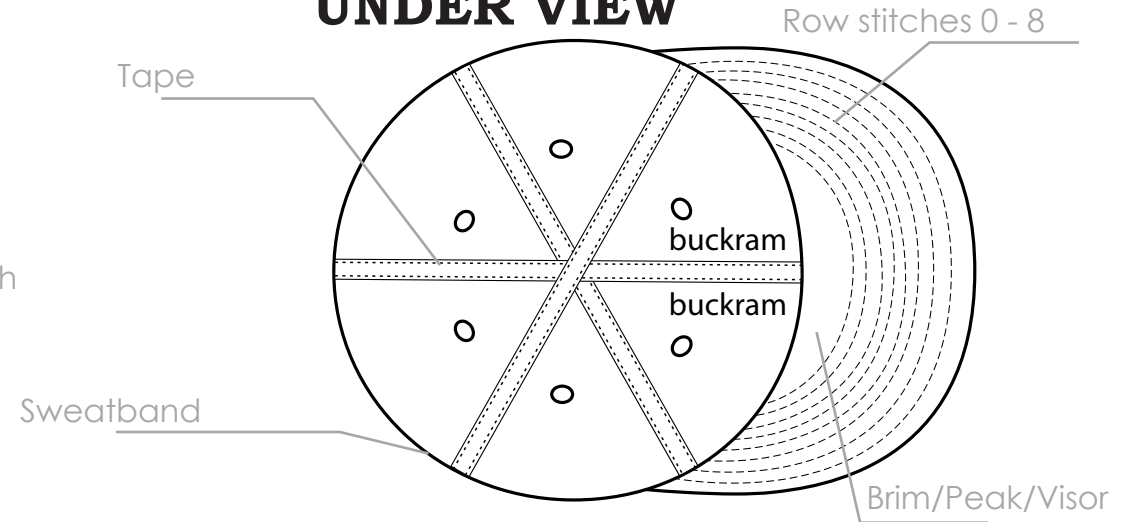
Project Name: Blank Template

CUSTOM MANUFACTURED SNAPBACK STYLE DESIGN EXAMPLE

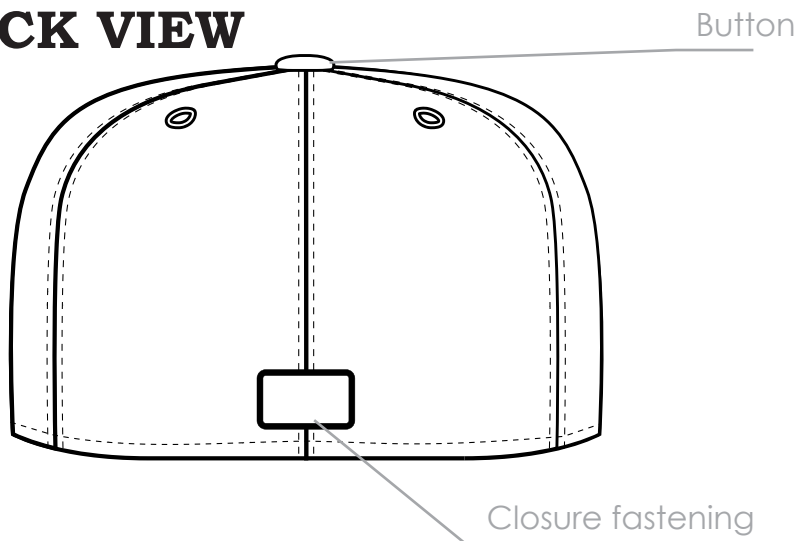
FRONT VIEW



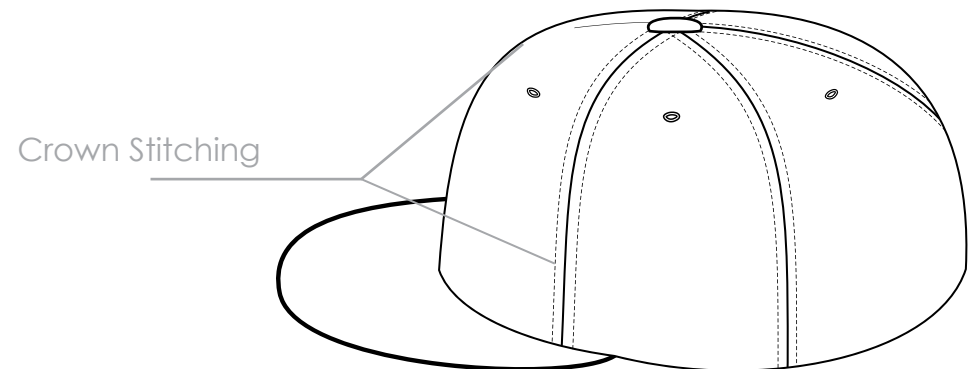
UNDER VIEW



BACK VIEW



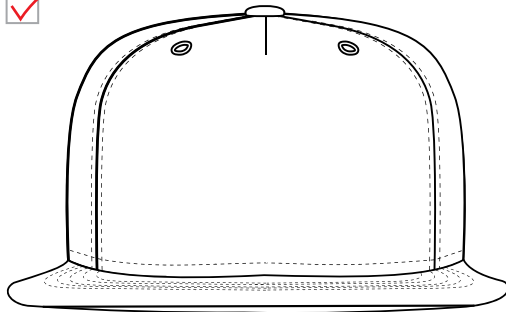
SIDE VIEW



Order Number: 000001

Project Name: Blank Template

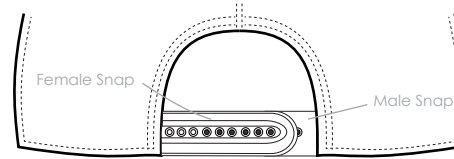
Crown Style



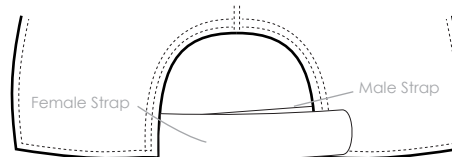
5 panels High Crown

Closure

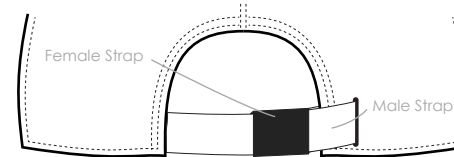
plastic snap back



velcro strap closure



fabric/leather and metal closure



Closure: COLOR: MATERIAL:

Female

Male

Brim

PANEL: COLOR / SWATCH: FABRIC:

TOP VISOR

G

UNDER VISOR:

N

TYPE OF BRIM: FLAT Pre-curved

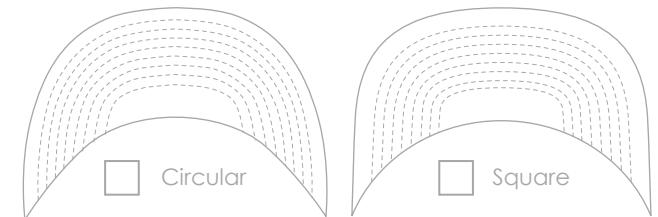
STYLE OF BRIM:

Regular Brim

Sandwich | Color:

Flip Visor

SHAPE OF BRIM:



Number of Row stitches:

1 | 2 | 3 | 4 | 5 | 6 | 7 | 8

Order Number: 000001

Project Name: Blank Template

Exterior

PANEL: COLOR / SWATCH: FABRIC:

- A
- C
- D
- E
- F

TOP BUTTON:



Interior Lining

PANEL: COLOR / SWATCH: FABRIC:

- H -
- I -
- J -
- K -
- L -
- M -

BUCKRAM: Double Single None

O SWEATBAND:

Eyelets

PANEL: THREAD COLOR:

- A
- C
- D
- E
- F

Fitting

- Shallow
- Standard

Stitching

PANEL: COLOR:

- A
- C
- D
- E
- F

TOP VISOR:

G

UNDER VISOR:

N

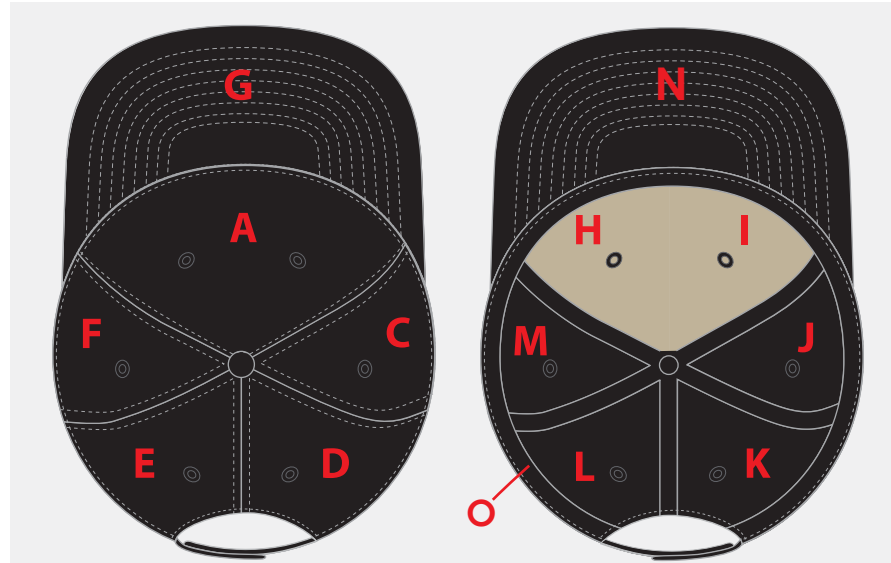
Sublimination

- A Yes, see attached art work
- B Yes, see attached art work
- C Yes, see attached art work
- D Yes, see attached art work
- E Yes, see attached art work
- F Yes, see attached art work
- G Yes, see attached art work
- N Yes, see attached art work

Taping

Type:

If Standard type pantone Color:





AUTHENTIC
CUSTOM | PRINTED
EST. 2015

High Crown
CAP

Product Details

Do you need embroidery? Yes No

How soon do you need the order to be delivered?

Do you have your artwork in svg, .eps, or .ai format? Yes No

If you don't have your artwork in a vector format do you have the image saved as a 300 dpi asset or greater?

Yes No Don't Know

Are you looking for our patent pending sublimation techniques? Yes No

How many **units** are you looking to order? Do you need to hire an artist? Yes No

Contact

Name: Phone number:

Email:

Notes

Agent: Discount Code:

How did you hear about us?